

**FACETED**

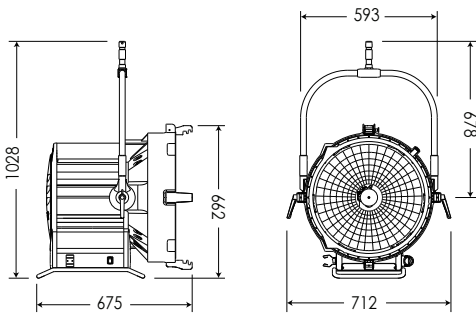


**Daylight Par Faceted F9k**

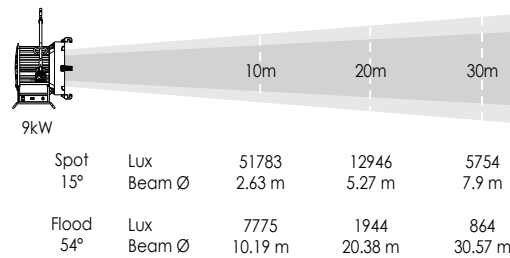
■ SPECIFICATIONS

Identity No.	L09000FP
Capacity	9,000W
Lamp Bulb Voltage	160V
UV Protective Lens	Ø500mm
Lamp Type	CSR 9000/SE/HR or HMI 9000W/SE
Color Temp.	5600K
Lamp Holder	GX38
Stirrup	Ø28mm (1-1/8 in.) Spigot
Class / IP Rating	1 / IP 23
Max. Surface Temp.	220 °C
Max. Ambient Temp.	45 °C
Min. Distance to Illuminated Object	12 m
Min. Distance to Flammable Object	2 m
Operating Range	+45° ~ 0° ~ -45°
Weight (Lamphead)	35.0 kg
Weight (with barndoor)	40.0 kg

■ DIMENSIONS (mm)



■ PHOTOMETRIC DATA



■ LAMPHEAD CONTENTS

Lamp Housing without Bulb (purple grey & silver color)

4-leaf Rotatable Barndoor with Safety Wire

Ø500mm UV Protective Lens

Power Cable with Multi-Pin Connector

Stirrup with Ø28mm (1-1/8 in.) Spigot

# Requires Electronic Ballast, Lamphead to Ballast Cable and Lamp Bulb

■ ACCESSORIES

Electronic Ballast V3 : 12kW/9kW/6kW or 9kW/6kW

Lamphead to Ballast Cable : 10m (33 ft.) or 15m (49 ft.)

4-leaf Rotatable Barndoor

Set of 4 Scrims Ø568mm (22-3/8 in.) : Full Single, Full Double, Half Single, Half Double

Scrim Bag

Safety Cable (for lamphead)

Safety Wire (for barndoor)